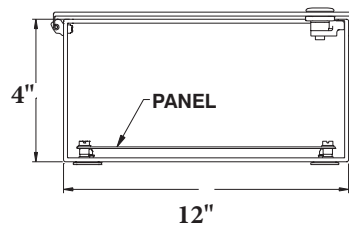
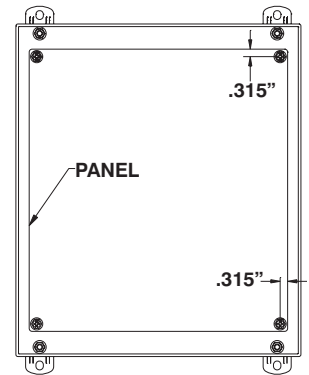
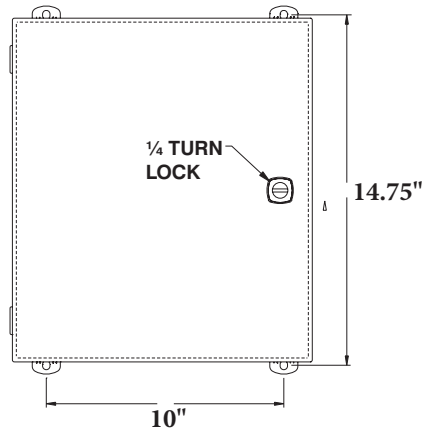
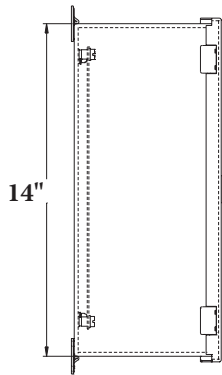




UVCX-BBSH15-2

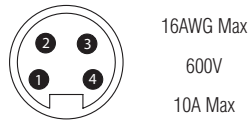
(UL 508 UVC Ballast Box for up to four Lamps)

Enclosure: Made of high quality code gauge steel, with continuously welded corner seems. High quality poured-in-place, seamless gasket ensures a complete and durable water tight seal. Die cast hinges, 1/4 turn lock which ensures tight positive closing, and heat fused powder paint, electrostatically applied. ANSI/ASA 61 gray color. UL Listed / CSA Certified

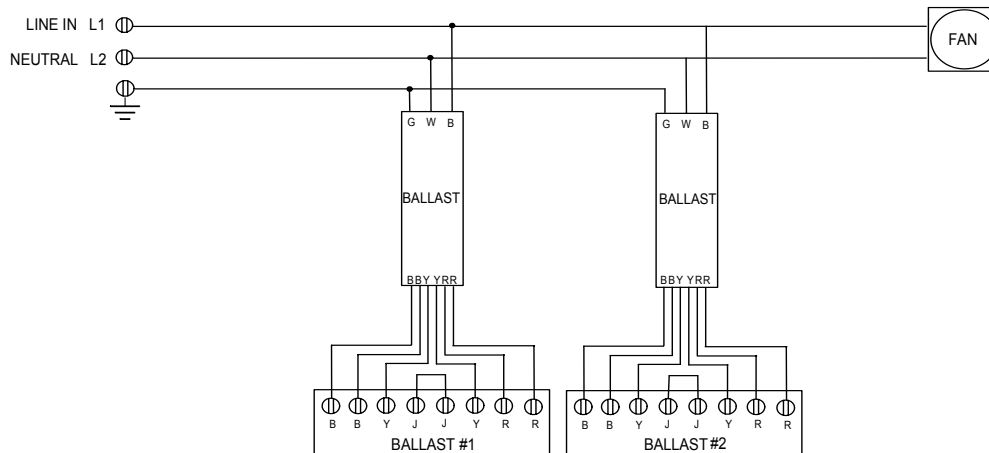


Ballasts: Includes two UV electronic ballasts. Approved for lamp combinations up to 310W max. Input voltage can be 120 or 277V. They have a sound rating of "A", and a class of "P", and is suitable for air handling spaces.

Bulkhead Connector: Bulkhead connectors provide a quick and easy way of connecting to the UV lamps, as well as power supplied by the control box. Gold-plated copper alloy contacts, IP67 ingress protection rating, and clear anodized aluminum shell.



Fan: A 115V axial fan is provided for additional cooling to maintain a comfortable ambient temperature for the ballast. (60mm x 60mm) (9.1 CFM)



UVC POWER

UVCX-BBSHS15-2