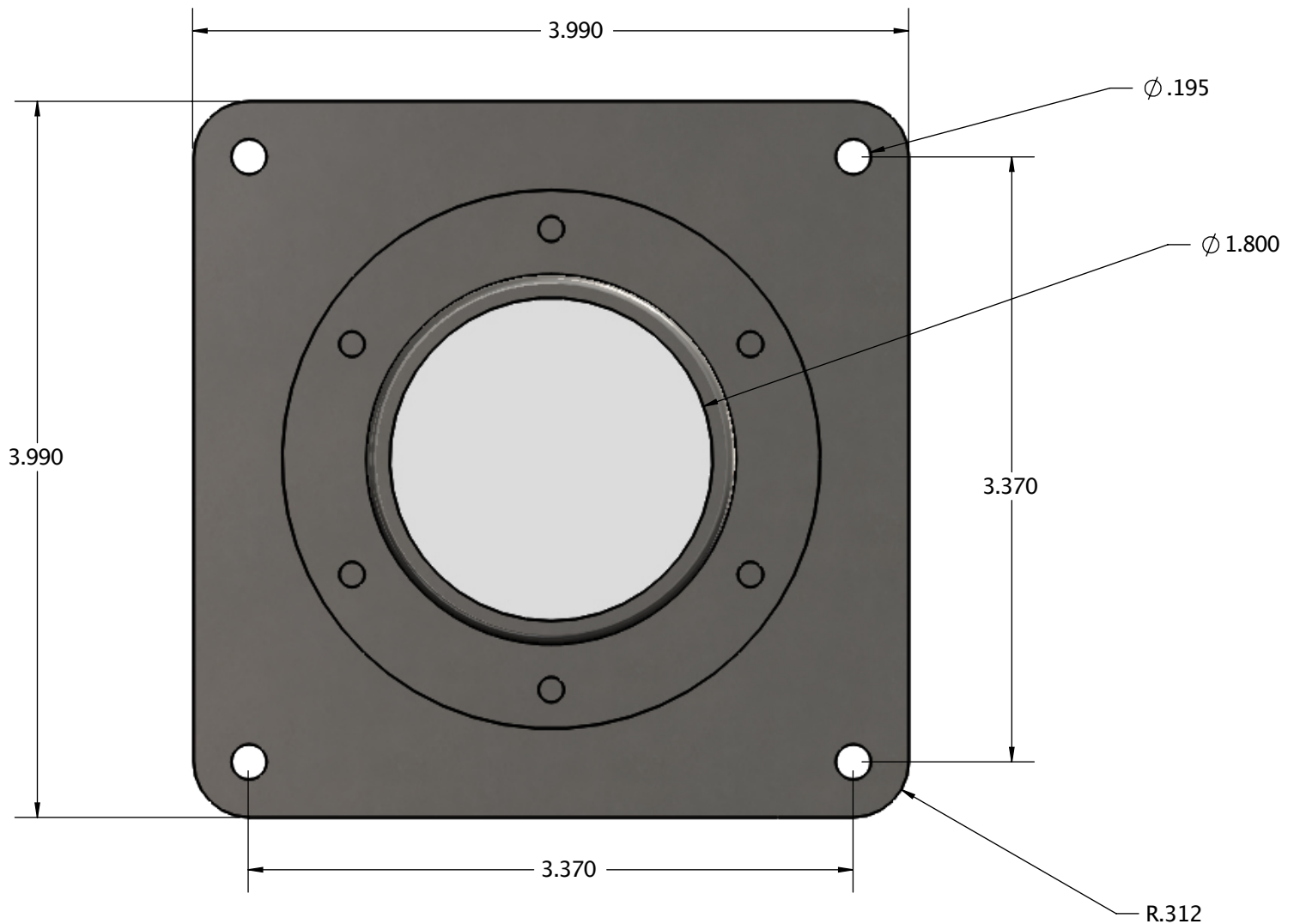


UVC Power Viewport



Installation Guide

- 1 - Drill a 2" hole into duct work or surface where the viewport will be installed.
- 2 - Use provided screws to mount viewport to surface.
- 3 - Ensure that an airtight seal is achieved once all four corners are secured with the provided hardware.

