

UVC Lamps on ALL FOUR sides.
Equivalent to **FOUR** upper air systems!!



[Remote fan control](#)

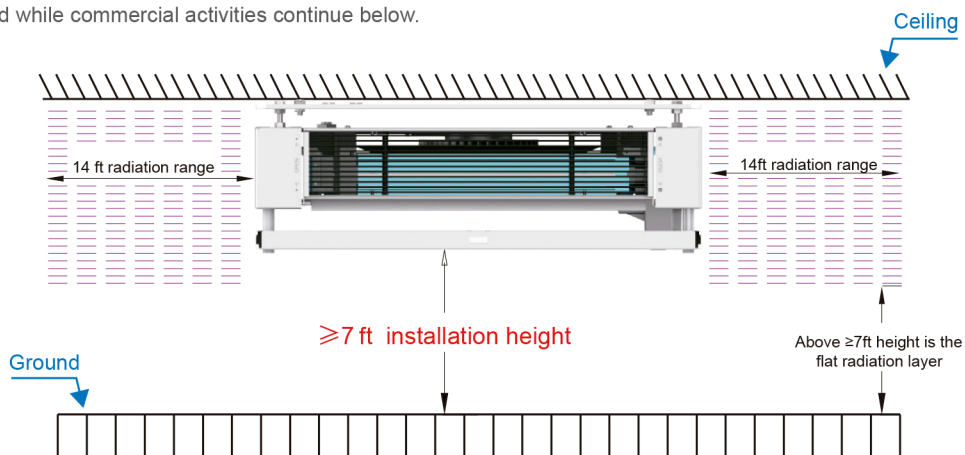


Specifications

Power (W)	Input voltage (V)	Wave length (nm)	Radiation Intensity (1m from the tube surface) ($\mu\text{W}/\text{cm}^2$)	Noise, 1 meter distance (DB)	Working temperature ($^{\circ}\text{F}$)	Product size (in)	Remote control range (ft)	Infrared sensing range (ft)
150W	100-270V	253.7nm	100 $\mu\text{W}/\text{cm}^2$	1level: 30DB	41 $^{\circ}\text{F}$ - 104 $^{\circ}\text{F}$	23.5x23.5x7in	$\geq 9\text{ft}$	$\geq 6\text{ft}$

Purification principle

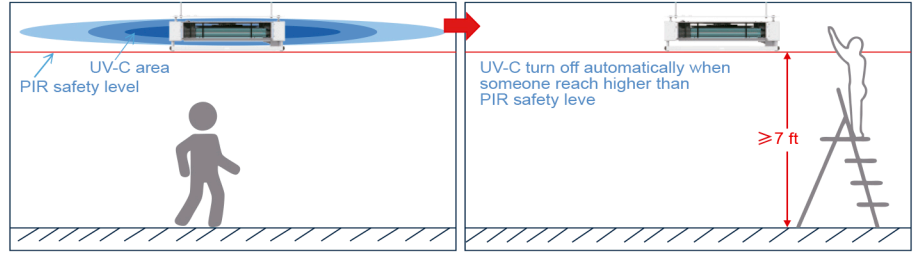
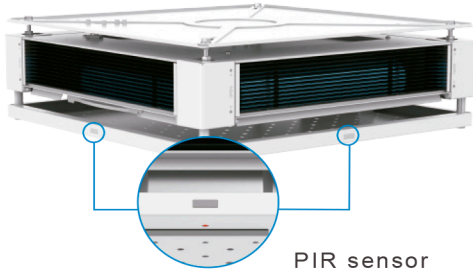
upper space is purified while commercial activities continue below.



Features

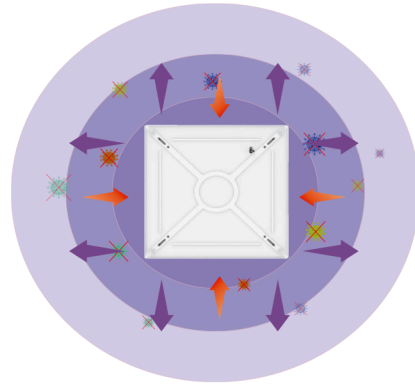
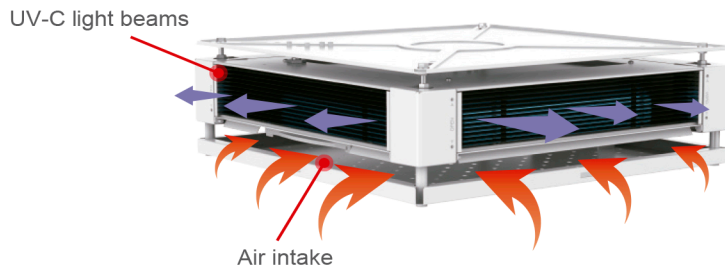
01 Presence sensing ON/OFF protection

Features 1: Built-in PIR module on four sides, the organism exceeds the ultraviolet radiation area, UV-C lamp will stop working, avoid UV-C exposure to hurt people, improve safety performance.



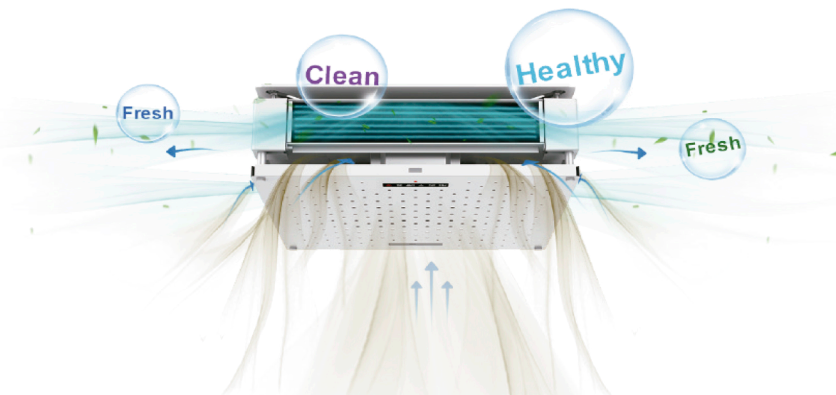
02 Air circulation system

Features 2: Four sides fan outlet design: can quickly form air convection through the fan, accelerate the indoor air circulation, increase the virus rates de-activation.

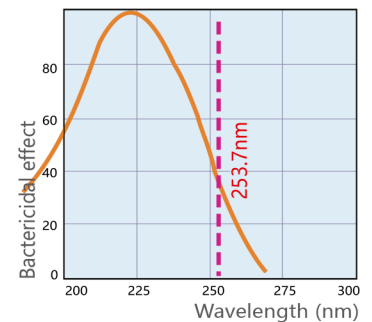


03 Environmental health

Features 3: Environmental protection - shortwave UV radiation peak at 253.7nm, no ozone emissions during or after use.



Effective bands for inactivating bacteria and viruses



The results of microbiological laboratory tests showed that microorganisms irradiated with more than a certain dose of UV-C can inactivate more than 99.9%.

Features

04 LCD display, remote control

Features 4: LCD screen display, show the current working state, infrared remote control to adjust the function, more convenient to use.

Power

UV Fan speed (0-3level)

UV tube lifespan/damage

Clean grille

PIR sensor indicator

UVC timer Level (1-9hours)

Timing time increases

The Fan gear increases

The Fan gear decreases

Timing time decreases

Timing switch

Fan switch

		Reset sign after replacing the UV lamp
		Reset sign after cleaning

Note: the power prompt is displayed in red, and other prompts are displayed in white.

05 Easy to replace UV-C lamps

8,000 hour lamp life

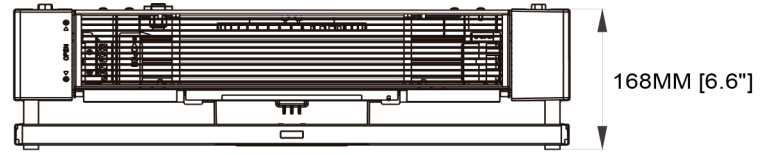
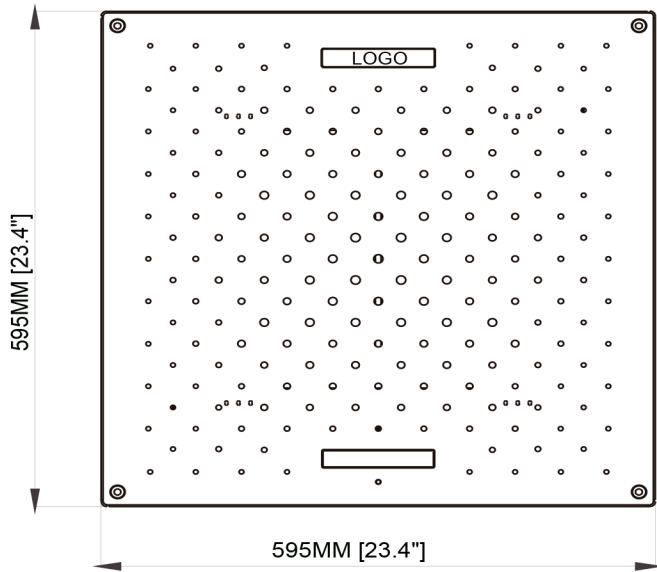


Application



42 lb. Total weight ceiling mounted on posts, bolts on each corner, widely used in offices, medical clinics, retail, food stores, hotels, schools, banks, toilets and other public places.

Dimensions



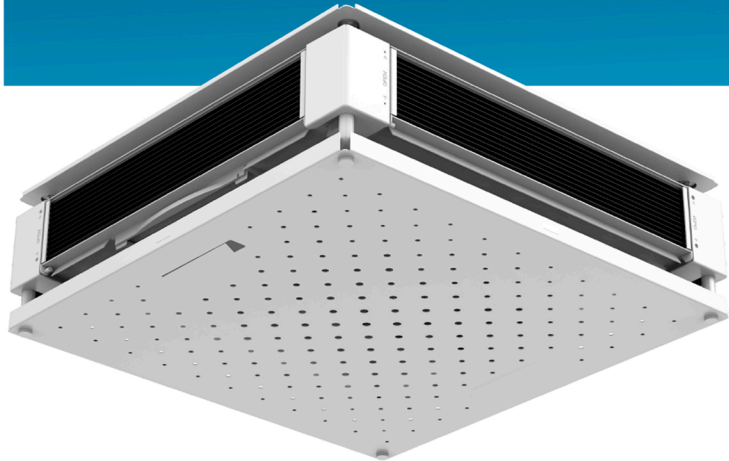


UPPER AIR | DEFENSE

**POWERFUL
UVGI: 150 Watt**

**2'x2' DROP
CEILING MOUNT**

**REPLACEABLE
WASHABLE FILTERS**



#UVCX-UPPER

COMPETITORS

FOUR SIDED

ONE SIDE

3 SPEED FAN

NO FAN = MINOR COVERAGE

150 WATT

15W, 20W, 40 WATT - WEAK

PRESENCE SENSING

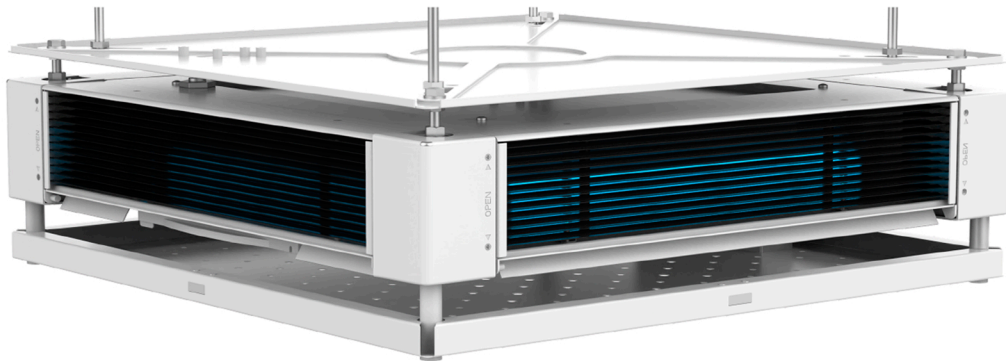
NONE

DIGITAL SCREEN

NONE

REMOTE CONTROL

NONE



ADDITIONAL UVGI PRODUCTS

**QUICK DUCT INSERT
UNITS**

**WALL MOUNT
UNITS**

**CONTROLLERS AND
ACCESSORIES**

**CUSTOM AIR DUCT
SYSTEMS**